



广州龙创电子科技有限公司

Guangzhou LongChuang Electronic Technology Co., Ltd

地址: 广州市番禺区洛浦街东乡村民安路8号3号楼五层

Add:5th,3rd building,Minan road NO.8,Dongxiang village,Luopu street,Panyu,Guangzhou

电话(Tel): 0086-020-34890057 Email:sales04@gzclcd.com Contact:Lillian Xu(+86 18675956820)

网址(Web):www.gzclcd.com

经典款恒压电源(Classic constant voltage power supply) C-500



产品特点(Features):

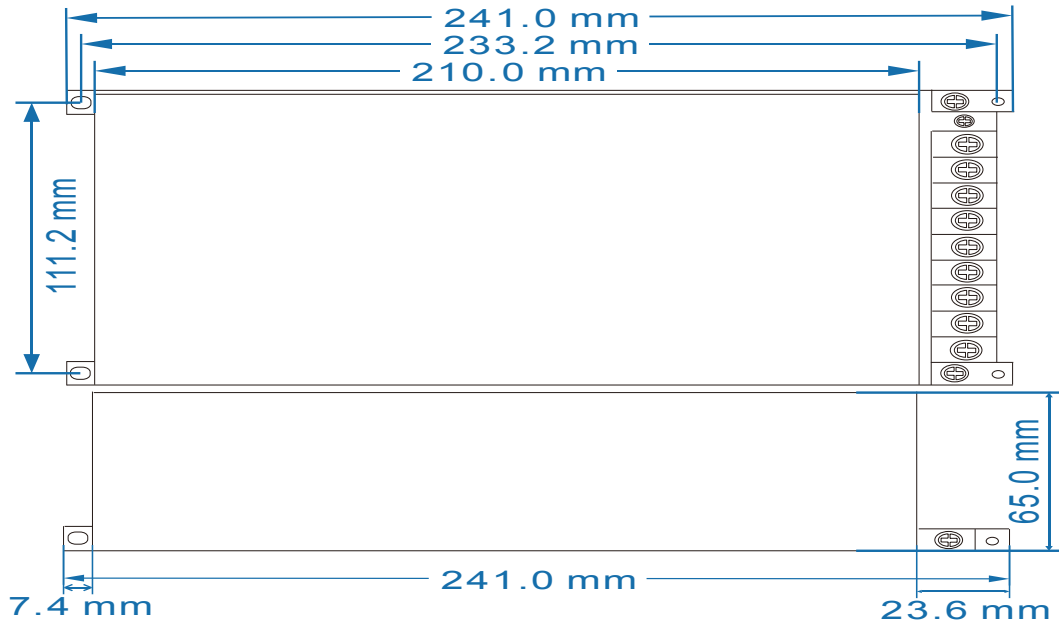
- 1.恒定电压输出(Constant Voltage design).
- 2.输入电压(AC input Voltage range)175-265Vac.
- 3.保护功能:短路保护/过载保护/过压保护均可自恢复。
(Protections:Short circuit/Over load/Over current/Over Voltage)
- 4.100% 满载老化(100% full load burn-in test)
- 5.高可靠性(High Reliability)



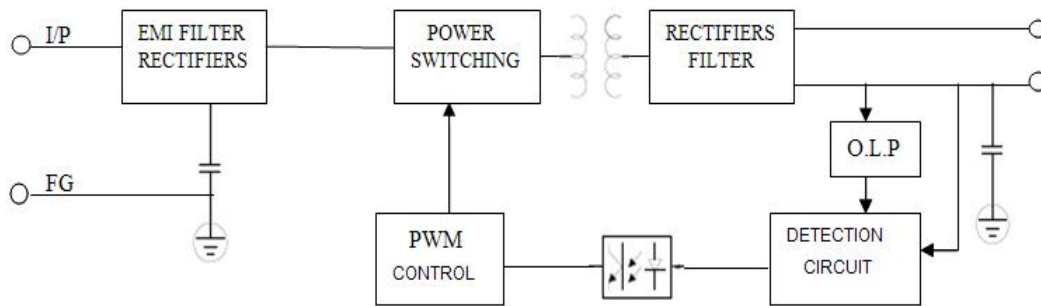
| 规格 | SPECIFICATION | C-500-12 | C-500-24 |
|-----------------------|---------------------------|---|-----------|
| 输出 OUTPUT | 输出电压 Rated DC voltage | 12V±0.5V | 24V±0.5V |
| | 电流范围 Current range | 0-41.6A | 0-20.83A |
| | 额定功率 Rated Power | 500W | 500W |
| | 纹波及噪声 Ripple & Noise | ≤120mVp-p | ≤240mVp-p |
| | 输出上升时间 Setup,Rise time | 50ms/230VAC | |
| | 输出保持时间 Hold up time | 20ms/230VAC | |
| 输入 INPUT | 输入电压范围 Voltage range | AC175-265V | |
| | 频率 Frequency range | 47 ~ 63HZ | |
| | 效率 Efficiency(Tpy.) | ≥ 83% | ≥85% |
| | 功率因素 Power factor | 0.6 | |
| | 漏电流 Leakage current | 0.25mA/230VAC | |
| 保护 PROTECTION | 过流保护 Over Current | 105%-130% | |
| | 短路保护 Reset After Shutdown | 保护类型: 打嗝式保护/自恢复 Protection type: Hiccup mode 短路保护 : 自恢复 after the fault has been removed | |
| 使用环境 ENVIRONMENT | 工作温度 Working TEMP. | -25°C-45°C | |
| | 存储温度 Storage TEMP. | -40°C-80°C | |
| | 相对湿度 Working Humidity | 0-95% (无凝露No condensation) | |
| | 振动 Vibration | 10-500HZ,2G 10min/1cycle,preiod for 60min,each along X,Y,Z axes | |
| | 温度系数 TEMP. coefficient | ±0.03%/°C (0-50°C) | |
| 安规及电磁兼容 SAFETY&EMC | 安全标准 Safety Standards | Design refer to LVD EN61347-2-13:2006,EN61347-1:2008 | |
| | 耐压 With stand Voltage | I/P-O/P:3KVAC,I/P-COVER:3KVAC,O/P-COVER:500VAC | |
| | 绝缘电阻 Isolation Resistance | I/P-O/P:>100M Ohms/500VDC/25°C/70% RH | |
| | 电磁兼容 EMC | EN55015:2006/A2:2009,EN61000-3-2:2006/A2:2009,EN61000-3-3:2008,EN61547:2009 | |

| | | |
|--------------|--------------|----------------------|
| 其它 OTHERS | 寿命 MTBF | 50KHours (25°C) |
| | 尺寸 Dimension | 241*124*65 mm(L*W*H) |
| | 重量 Weight | 1256g |

安装尺寸(单位:mm) Configuration dimensions(Unit:mm)



组成结构图: Circuit diagram:



带载曲线 Diagram:

